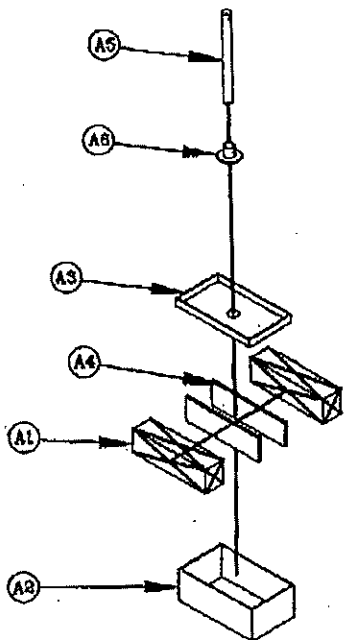
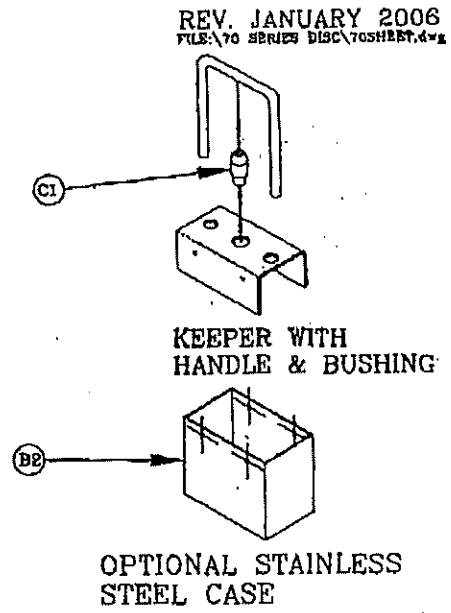


UNIT ASSEMBLY



MAGNET BOX ASSEMBLY



MULTILIFT PARTS LIST

| CERAMIC STYLE DESCRIPTION | MODEL NO. | | | | |
|---|-----------|-----------|-----------|-----------|-----------|
| | 71 | 72 | 74 | 76 | 78 |
| | NO. REQ'D | NO. REQ'D | NO. REQ'D | NO. REQ'D | NO. REQ'D |
| (A) MAGNET BOX ASS'Y | 1 | 1 | 1 | 1 | 1 |
| (A1) MAGNETS | 1 | 2 | 4 | 8 | 8 |
| (A2) MAGNET BOX | 1 | 1 | 1 | 1 | 1 |
| (A3) MAGNET BOX COVER | 1 | 1 | 1 | 1 | 1 |
| (A4) SPACERS | - | 2 | - | 2 | 3 |
| (A5) RELEASE ROD | 1 | 1 | 1 | 1 | 1 |
| (A6) "TEE" NUT | 1 | 1 | 1 | 1 | 1 |
| (B1) LOWER CASE-NYLON | 1 | 1 | 1 | - | - |
| (B2) LOWER CASE-ST. STL. CLAD NYLON (200°F) ORDER AS "SS" | 1 | 1 | 1 | - | - |
| (B3) LOWER CASE-ALL ST. STL. (400°F) ORDER AS "HHSS" | 1 | 1 | 1 | 1 | 1 |
| (C) KEEPER W/HANDLE AND BUSHING | 1 | 1 | 1 | 1 | 1 |
| (C1) BUSHING | 1 | 1 | 1 | 1 | 1 |
| (D) SPRING | 1 | 1 | 1 | 2 | 2 |
| (E) RELEASE HANDLE | 1 | 1 | 1 | 1 | 1 |
| (F) 10-32 x 1/2 SCREWS | 4 | 4 | 4 | 6 | 6 |
| (G) LOWER CASE NUTS | 4 | 4 | 4 | 6 | 8 |

| ALNICO STYLE DESCRIPTION | 71 | | 72 | | 74 | |
|--------------------------|-----------|------------|-----------|------------|-----------|------------|
| | NO. REQ'D | PRICE EACH | NO. REQ'D | PRICE EACH | NO. REQ'D | PRICE EACH |
| ALNICO MAGNET | 1 | | 2 | | 2 | |

ALL OTHER PARTS ARE COMMON TO BOTH CERAMIC AND ALNICO STYLE. REPAIR LABOR COST PER UNIT